

VESA-DC

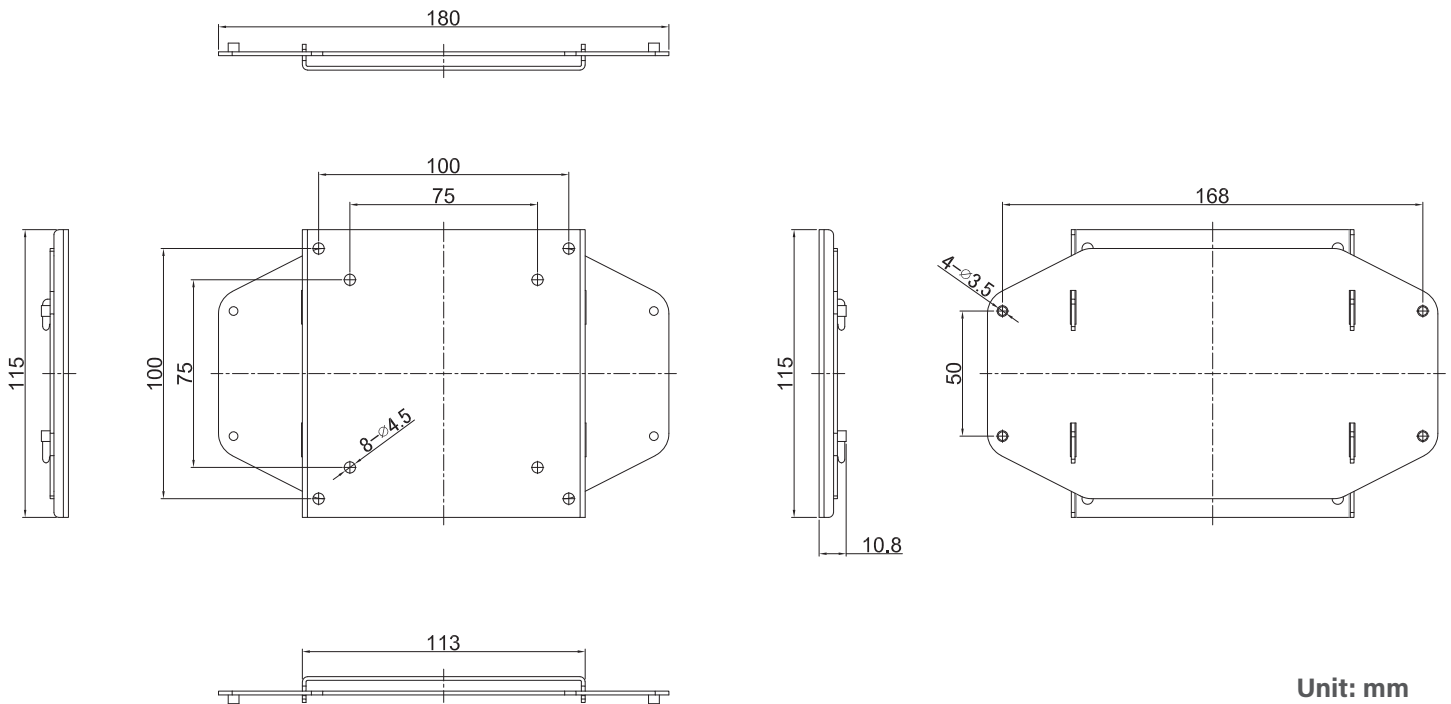
DC series VESA Mount Kit



Specifications

Mounting Method	• VESA Mount
Dimension (W x D x H)	• 180 x 115 x 10.8 mm
Weight	• 0.34 kg
Material	• SGCC

Dimensions



Unit: mm

Ordering Information

Available Models

Model No.	Description
VESA-DC	DC series VESA Mount Kit

Package Checklist

- VESA Mount Kit x1
- Screw Pack x1

Compatible List

Model No.	VESA-DC
DC Series	V

V : Compatible